




## Doty & Sons Concrete Products, Inc.

1275 East State Street  
Sycamore, IL 60178  
**TOLL FREE: 800-233-3907**  
**815-895-2884**  
**FAX: 815-895-8035**

Web Sites: [www.dotyconcrete.com](http://www.dotyconcrete.com)  
[www.memorialsdonations.com](http://www.memorialsdonations.com)  
[www.byobagsgame.com](http://www.byobagsgame.com)  
Email: [info@dotyconcrete.com](mailto:info@dotyconcrete.com)









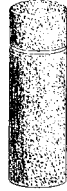








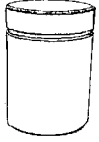

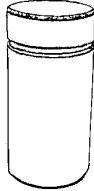
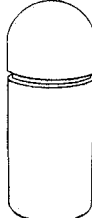




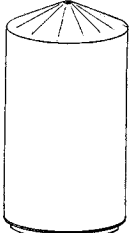
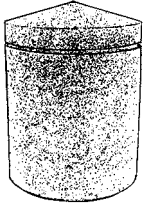

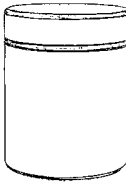
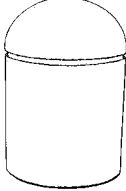
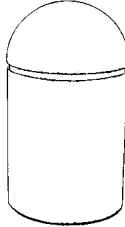


Table of Contents		
	PG. 1	Bollards
	PG. 2	Bollards Moveable Bollards Square Bollards
	PG. 3	Lighted Bollards, Ball Bollards, Sign Post Blocks, Posts





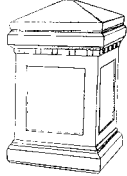
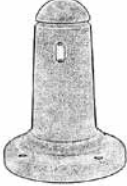
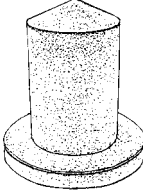
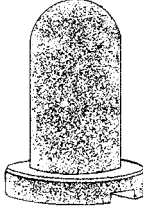
### **QUALITY PRODUCTS AT COMPETITIVE PRICES.**

**DON'T LET FREIGHT COSTS SCARE YOU.** We deal with several freight companies that allow substantial discounts for long distance hauling, when freight is prepaid by Doty & Sons. Because of this, we are able to pass considerable freight savings to our customers. We will combine our discount with the lowest freight rate and quote a competitive price. For more information please call toll free 1-800-233-3907.

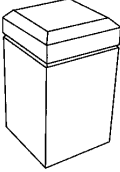
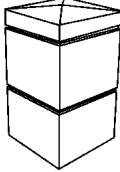
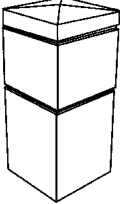
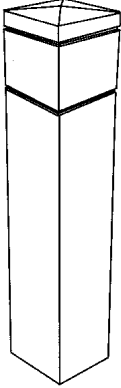
**BOLLARDS**

							
8" Dia. x 32" H.	10" Dia. x 36" H.	10" Dia. x 41" H. Round Top	10" Dia. x 72" H.	10" Dia. x 77" H. Round Top	12" Dia. x 30" H.	12" Dia. x 36" H.	12" Dia. x 36" H.
Item No. B0832	Item No. B1036	Item No. B1041	Item No. B1072	Item No. B1077	Item No. B1230D	Item No. B1236	Item No. B1236LR
Wt. 128 lbs.	Wt. 220 lbs.	Wt. 241 lbs.	Wt. 452 lbs.	Wt. 473 lbs.	Wt. 280 lbs.	Wt. 325 lbs.	Wt. 325 lbs.
							
12" Dia. x 42" H. Round Top	12" Dia. x 48" H.	12" Dia. x 72" H.	12" Dia. x 78" H. Round Top	16" Dia. x 30" H.	16" Dia. x 36" H.	16" Dia. x 42" H.	18" D x 24" H.
Item No. B1242	Item No. B1248	Item No. B1272	Item No. B1278	Item No. B1630	Item No. B1636	Item No. B1642	Item No. B1824
Wt. 362 lbs.	Wt. 448 lbs.	Wt. 682 lbs.	Wt. 739 lbs.	Wt. 497 lbs.	Wt. 597 lbs.	Wt. 696 lbs.	Wt. 490 lbs.
							
18" Dia. x 30" H.	18" Dia. x 36" H.	18" Dia. x 45" H.	18" Dia. x 22" H.	18" Dia. x 28" H.	18" Dia. x 34" H.	24" Dia. x 36" H.	26" Dia. x 50" H.
Item No. B1830	Item No. B1836	Item No. B1842	Item No. BC1822	Item No. BC1828	Item No. BC1834	Item No. BC2436	Item No. BC2650
Wt. 610 lbs.	Wt. 733 lbs.	Wt. 855 lbs.	Wt. 380 lbs.	Wt. 506 lbs.	Wt. 633 lbs.	Wt. 1036 lbs.	Wt. 2010 lbs.
							
30" Dia. x 40" H.	24" Dia. x 30" H.	24" Dia. x 36" H.	24" Dia. x 36" H.	24" Dia. x 42" H.		13" to 16" Dia. x 36" H.	13" to 16" Dia. x 42" H.
Item No. BC3040	Item No. BF2430	Item No. BF2436	Item No. BR2436	Item No. BR2442		Item No. TB1336	Item No. TB1342
Wt. 2111 lbs.	Wt. 1086 lbs.	Wt. 1300 lbs.	Wt. 1160 lbs.	Wt. 1375 lbs.		Wt. 400 lbs.	Wt. 540 lbs.

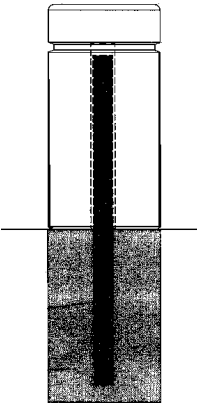
**MOVEABLE BOLLARDS**

					
18" Dia. x 29" H.	18" Dia. x 35" H.	18" Sq. x 29" H.	13" Dia. x 38 1/2" H. Base 30" Dia.	18" Dia. x 33" H. Base 30" Dia.	18" Dia. x 38" H. Base 30" Dia.
Item No. CB1829	Item No. CB1835	Item No. MB1829	Item No. BM1342	Item No. BM1833	Item No. BM1838
Wt. 490 lbs.	Wt. 653 lbs.	Wt. 625 lbs.	Wt. 755 lbs.	Wt. 755 lbs.	Wt. 860 lbs.

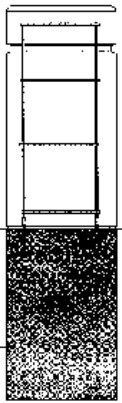
**SQUARE BOLLARDS**

			
16" x 16" x 28" H.	16" x 16" x 30" H.	16" x 16" x 36" H.	16" x 16" x 72" H.
Item No. B161628	Item No. B161630	Item No. B161636	Item No. B161672
Wt. 592 lbs.	Wt. 634 lbs.	Wt. 760 lbs.	Wt. 1520 lbs.

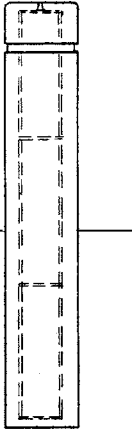
**Common Bollard Anchor Methods**



**Pipe Method**  
Bollard set over steel pipe. Pipe by others.







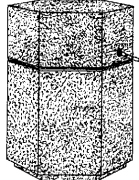
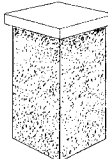
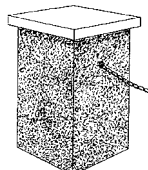
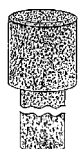
**Surface Mount Pin and Epoxy Method**  
Four Stainless threaded rods thread into inserts cast in the bottom of the bollard. Drilled and epoxied to concrete base (by others).







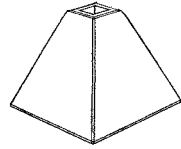
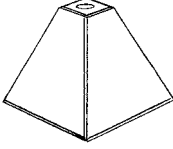
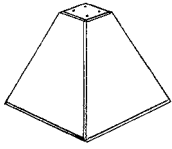
**Buried Method**  
Full length bollard. Set half above grade half below grade.



B1836 Bollard shown being lowered over steel pipe.



Lighted Bollards				Bollards and Pillars			
							
12" Dia. x 48" H. Lighted Bollard	13" Dia. to 16" Dia. x 42" H. Lighted Bollard	16" Sq. x 32" H. Lighted Bollard	18" Dia. x 30" H. Lighted Bollard	26 1/2" Across x 41" H. No. 9 Solid Pillar	16" Sq. Pillar Cap 2 1/2" x 19" Sq. x 31 1/2" H.	22" Sq. Pillar Cap 3" x 26" Sq. x 41" H.	Mushroom Bollard 20" Dia. x 20" H. x 60" L.
Item No. B1248LT Wt. 350 lbs.	Item No. TB1342L Wt. 540 lbs.	Item No. BL1632 Wt. 360 lbs.	Item No. BL1830 Wt. 350 lbs.	Item No. B2641 Wt. 2043 lbs.	Item No. BP1631 Wt. 712 lbs.	Item No. BP2241 Wt. 1792 lbs.	Item No. B2060 Wt. 1008 lbs.

BALL BOLLARDS		
		
12" Diameter	18" Diameter	24" Diameter
Item No. BB1200	Item No. BB1800	Item No. BB2400
Wt. 75 lbs.	Wt. 254 lbs.	Wt. 600 lbs.

SIGN POST BASES			
			
Post Block with Universal 2" Square prepunched post cast in base.	Universal Base for 4 x 4 wood post or other posts.	Universal Base with 3" Dia. Hole for: 1" to 2 1/2" Pipe, or 2" Square prepunched posts, or 3" wide "U" shaped prepunched steel sign post.	Base with 1/2" threaded inserts for post with welded plate. Plate and post not included
Item No. SP4420 Item No. SP4426 (sandblasted) Wt. 340 lbs. Size: 22" Sq. x 16" H.	Item No. SP4400 Item No. SP4406 (sandblasted) Wt. 390 lbs. Size: 24" Sq. x 19" H. 7" Sq. Top.	Item No. SP4010 Item No. SP4016 (sandblasted) Wt. 425 lbs. Size: 24" Sq. x 19" H. 7" Sq. Top.	Item No. SP4050 Item No. SP4056 (sandblasted) Wt. 425 lbs. Size: 24" Sq. x 19" H. 7" Sq. Top.
Optional sign post 1.75" Square Pre-punched			

POST	
	
Item No. FP1126 112" L x 6" Sq. at top. 8" Sq. at bottom. Wt. 425 lbs. Price: Call	Item No. FP8426 84" L x 6" Sq. at top. 7 1/2" Sq. at bottom. Wt. 320 lbs. Price: \$175 Custom lengths available. Call for details.